

ProRing 2

User's Guide

Guide de l'utilisateur

Benutzerhandbuch

Manuale Utente

Manual del usuario

Gebruikershandleiding

用户说明书

Användarhandbok

Brukerhåndbok

Brugerhåndbog

Käyttöopas



**Thank you for choosing Profoto.
Follow the instructions in this booklet to use your new product.**

Thanks for showing us your confidence by investing in a ProRing 2. For more than three decades we have sought the perfect light. What pushes us is the conviction that we can offer even the most demanding photographer yet better tools.

Before our products are shipped we have them pass an extensive and strict testing program. We check that they pass the quality and capacity levels the most demanding photographers require. For this reason our flash equipment is the standard in most rental studios in New York and Tokyo and the most rented flash all over the world.

Quality of Light

The Profoto system consists of different generators built and designed to meet the demands of the most demanding photographers. Yet the most important thing is the light you create and it is then essential that the system offers freedom to create your own light. The light source, both the flash tube and the modeling light, is placed high and free in the flash head. This makes it easier for you to adjust the light and use your creativity. Most reflectors can be moved forward or backward in relation to the optical centre of the light source, effectively narrowing or widening the spread of the light and changing the intensity and fall-off characteristics as well. Every single reflector and accessory creates its special light and the unique Profoto focusing system offers you a possibility to create your own light with only a few different reflectors.

Enjoy your Profoto product!

**SAFETY PRECAUTIONS!**

Read and follow all safety instructions below carefully to avoid injuries or damages!

Make sure that this user guide always accompanies equipment!

Profoto products are intended for professional use!

Generator, lamp heads and other parts are only intended for indoor photographic use.

Do not place or use the equipment where it can be exposed to moisture, for instance through condensation, extreme electromagnetic fields or in areas with flammable gases or dust!

Do not expose the equipment to dripping or splashing

Do not place objects filled with liquids on the equipment.

Do not store the generator close or below the freezing point, which can lead to loss of capacity and risk of condensation when used in a warmer surrounding immediately.

Do not connect accessories from other brands!

Equipment must only be serviced or repaired by authorised and competent service personnel!

Changes or modifications not expressly approved by the party responsible for compliance Profoto could void the user's authority to operate the equipment.

**WARNING – Electrical Shock Hazard – High Voltage!**

Connect generator to grounded mains outlet!

Only use Profoto extension cables!

Do not open or disassemble generator or lamp head! Equipment operates with high voltage.

Generator capacitors will be electrically charged for a considerable time after being turned off.

Do not touch modeling lamp or flash tube when mounting umbrella metal shaft in its reflector hole, risk of contact with live electrical socket!

Disconnect lamp cable between generator and lamp when changing modeling lamp or flash tube!

**CAUTION – Burn Hazard – Hot Parts!**

Do not touch hot parts with bare fingers! Modeling lamps, flash tubes and certain metal parts emit strong heat when used!

Do not point modeling lamps or flash tubes too close to persons. Light components may on rare occasions explode and throw out hot particles!

Make sure that rated voltage for modeling lamp corresponds with technical data of user guide regarding power supply!

NOTICE – Equipment Overheating Risk

Remove transport cap from lamp head before use!

Do not obstruct ventilation by placing filters, diffusing materials, etc. directly over glass cover modeling lamp or flash tube!

**FINAL DISPOSAL**

Equipment contains electrical and electronic components that are harmful to the environment.

Equipment may be returned to Profoto distributors free of charge for recycling according to WEEE.

Follow local legal requirements for separate disposal of waste, for instance WEEE directive for electrical and electronic equipment on the European market, when product life has ended!

Table of Contents

Brief Instructions	6
Mounting Reflector	6
Connecting Lamp Head	7
Changing Fuse.....	7
Changing Flash Tube.....	7
Changing Modeling Lamp	8
Color Control and Consistency.....	8
Compatibility.....	8
Warranty.....	8
Accessories	9
Technical Data.....	9

ProRing 2

The ProRing 2 is an entirely mobile source of light. The interior diameter of 100 mm provides plenty of space for professional camera lenses. Since the camera holder can be tilted forward and backwards, as well as upwards and downwards, most cameras can be attached. This makes an excellent source of light in cramped areas, for example the interior of an automobile. Many fashion photographers also use the ProRing 2 to find new angles and capture details. The ProRing 2 provides a very distinct, directed light, but can be complemented by a soft or a widesoft Reflector, which increases the light source, thereby producing a softer light with fewer sharp shadows. For close ups, there is a reflector that focuses the light 50 cm in front of the camera lens. The ProRing 2 modeling light is controlled by a ON/OFF switch at the back. The modeling light consists of ten 12 V 20 W halogen lamps. The ProRing2 is equipped with a Ozone free High Power Quarts flash tube for unlimited use.

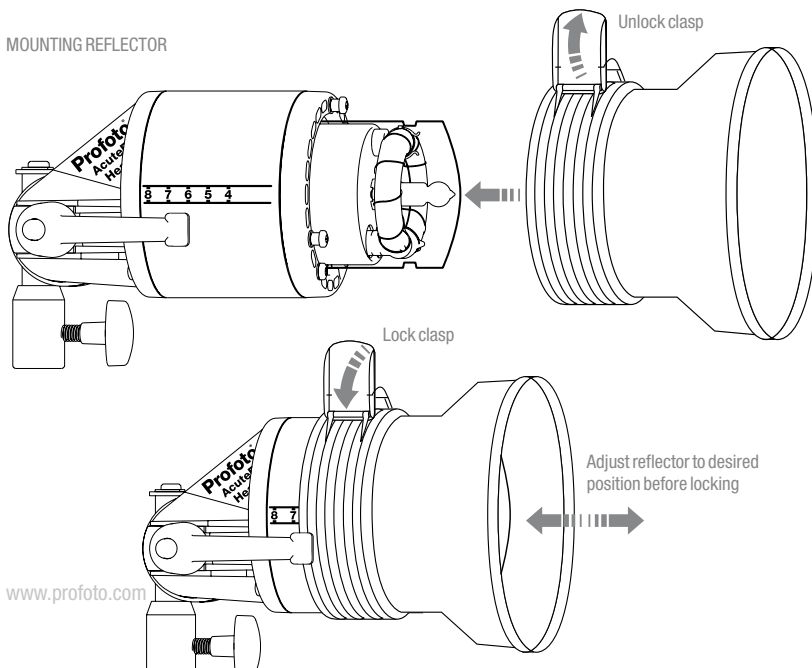
Brief Instructions

- » Connect the Ring Flash to the generator socket.
- » Switch the MODEL switch to ON

Mounting Reflector

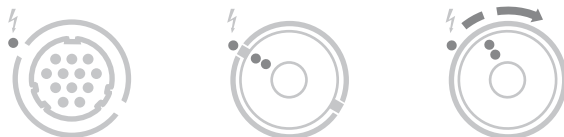
- » Remove the two ridged screws fixating the camera holder.
- » Remove the four ridged nuts holding the outer and inner reflectors together.
- » Run the lamp cable through the outer reflector and let the reflector slide into position.
- » Reassemble the outer and inner reflectors using the ridged nuts.
- » Reassemble the camera holder using the two ridged screws.

MOUNTING REFLECTOR



Connecting Ring Flash

When connecting the lamp head plug to the lamp head socket, align the dots on the plug with the white dot on the generator panel. Push the plug all the way in. Secure by turning the locking ring on the plug clockwise.



7

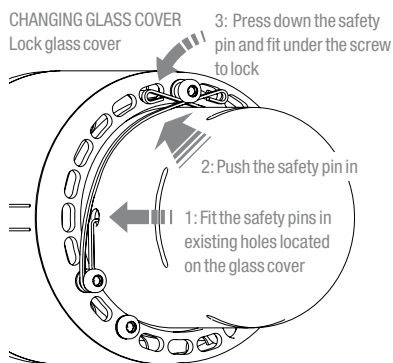
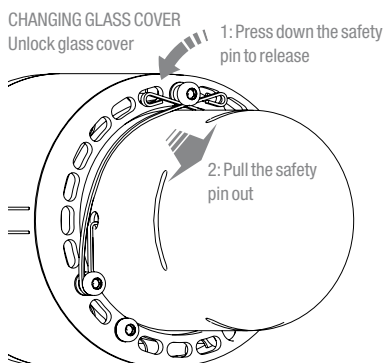
Changing Fuse

The fuse is placed at the back of the head. Unscrew the fuse holder counterclockwise. Pull the fuse out. Use fuses that are recommended, (for more details please read "Technical Data"). Push the new fuse all the way in. To lock the fuse holder when changed fuse, screw the fuse holder clockwise.



Changing Flash Tube

When removing a flash tube, remove the two locking rings, pull out the protective grating, pull the flash tube straight out of the sockets. When inserting a new flash tube, check that the trigger clasp fit properly around the flash tube trigger connection. Push the protective grating in to place. Secure with the two locking rings.



Do not touch hot parts with bare fingers! Modeling lamps, flash tubes and certain metal parts emit strong heat when used!

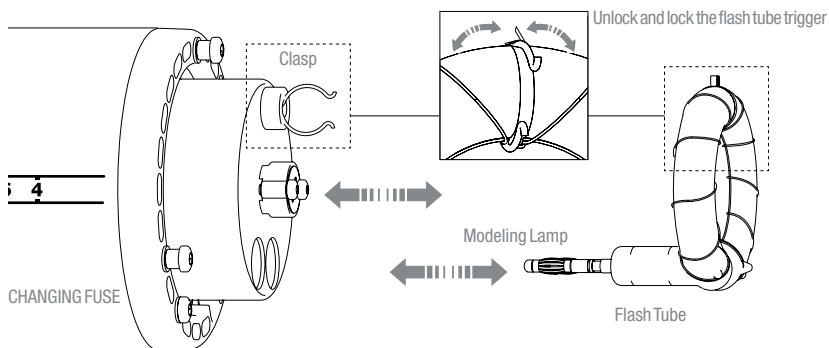
When changing modeling lamp, flash tube, fuse or glass cover the lamp cable must be disconnected from the generator.



Changing Modeling Lamps

We recommend to change all lamps at once when changing lamps. Remove the two ring locks, pull out the protective grating, pull the modeling lamps straight out of the sockets. Insert the new modeling lamps straight into the sockets. Push the protective grating in to place. Secure with the two locking rings.

CHANGING MODELING LAMP AND FLASH TUBE



Fan

The built-in fans are featuring temperature controlled variable speed, ensuring minimized noise level and efficient cooling in all situations.

Color Control and Consistency

The flash tube is made of high quality color stable hard glass making it suitable for demanding digital and analog photography with a high level of f-stop and color stability from flash to flash. In order to change the color temperature of the the head, Profoto offer a range of different coated glass covers.

Compatibility

The ProRing2 can be used with Pro and D4 generators.

Warranty

All Profoto generators and heads are individually tested before they leave the company and guaranteed for a period of two years with the exception of flash tubes, glass covers, modeling lamps and cables. Profoto is not responsible for technical malfunctions created by improper use or accessories made by other companies. If you have any technical problems please get in contact with an authorized Profoto AcuteB service station

Accessories

Please consult with your local dealer or distributor for specific information.

Technical Data

Specifications	
Flash Capacity:	2400 Ws.
Modeling Light:	200 W (10 x 12 V 20 W) halogen.
Flash Tube:	Ozone free High Power Quarts flash tube.
Output 600 Ws : (f-stop at 2 m, 100 ISO /21°)	No reflector 32.6 Diffuser..... 22.0 PR Softlight Reflector 45.4 PR Close-Up Reflector 45.0 PR WideSoft Reflector 22.1
Fan:	Two temperature controlled variable speed fans.
Cable Length:	4 m.
Fuse:	3.15 AT Slow Blow
Measurements	
Diameter:	20 cm, exterior diameter, (7.75 in). 10 cm, inner diameter, (4 in).
Size:	20 x 21 x 23 cm (7.75 x 8.25 x 9 in).
Weight:	2.2 kg, including camera holder (4.85 lbs).
<i>We reserve the right for misprint and any technical changes.</i>	

Declaration of Conformity

We, Profoto AB of
PO Box 2023
SE-128 21 Skarpnäck, Sweden

hereby declare that the following product Profoto ProRing 2 to which this declaration relates is in conformity with the appropriate standards IEC 60598-2-9/17 and IEC 60065, following the provisions of, EMC Directive 89/336/EEC, and Low Voltage Directive 73/23/EEC.

10

Stockholm, September 2006

Anders Hedebark

Managing Director of Profoto AB

Profoto AB
P.O. Box 2023
SE-128 21 Skarpnäck
SWEDEN

Phone +46 8 447 53 00
info@profoto.com
www.profoto.com

 **Profoto**
The Light Shaping Company